

 Crafted in Switzerland



PC-24
THE CRYSTAL CLASS

THE SUPER VERSATILE JET



 **PILATUS** 

MORE RANGE, MORE PAYLOAD,
AND EVEN MORE POSSIBILITIES



PC-24
THE CRYSTAL CLASS





A CLASS OF ITS OWN

6

WELCOME ABOARD

12

AVIONICS AND POWERPLANT

26

CUSTOMER SUPPORT

34

SWISS CRAFTSMANSHIP

36

WHY OWN A PC-24?

42

FACTS AND FIGURES

44

CONTACT US

54



A CLASS OF ITS OWN

THE CRYSTAL CLASS

People become enchanted when they experience something as unique and special as a Swiss mountain crystal.

Its elegance expresses something words cannot describe. The diverse and unmistakable shape of the crystal has always fascinated. Perhaps it's the hardness that conveys a sense of durability. Or because it is created deep within the mountain, emerging only after a long and arduous journey. Either way, one thing is for sure, its beauty sparks the imagination.

For some, Swiss mountain crystals are a symbol of strength and power. For others, their countless facets make them a symbol of variety and uniqueness. Crystal seekers from the Swiss Alps – called “Strahler” – discover the crystals only after tremendous effort and endurance. Working high in the mountains, they must withstand every type of unforgiving weather conditions before they can hold a crystal in their hands.

The extraordinary Pilatus PC-24, like the Swiss mountain crystal, is rugged, unique, timeless, and beautiful. Welcome to the Crystal Class.

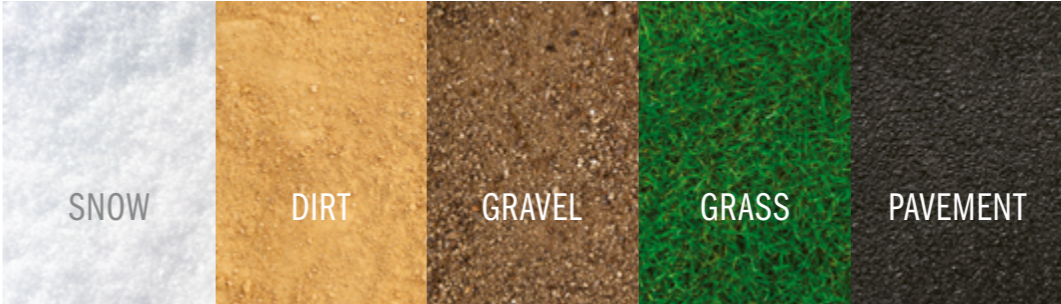


A CLASS OF ITS OWN

THE WORLD'S FIRST AND ONLY SUPER VERSATILE JET

Every crystal found in the mountains of Switzerland is entirely unique. Just as unique is the PC-24: the only aircraft combining the cabin size of a midsize jet with best-in-class payload capability, extended range, a large standard cargo door, and the versatility you expect from a Pilatus aircraft.

It's an aircraft that simply doesn't fit into any of the existing business jet categories. That's why we had to create a new one. Pilatus is proud to present the world's first and only Super Versatile Jet: the Pilatus PC-24.



A CLASS OF ITS OWN

GO WHERE NO BUSINESS JET HAS GONE BEFORE

The outstanding short-field performance of the PC-24 opens up an incredible level of mobility. The combination of short runway capability and certification for operation on grass, gravel, dirt, and snow offers a distinct advantage, giving you the ability to use thousands of additional airports that traditional jets cannot. By accessing smaller airports closer to your destination, you'll waste far less time on ground transfers and lengthy airport delays.

Fleets of PC-24s are operated by the Royal Flying Doctor Service in the Australian Outback, and above the Arctic Circle in the North Slope Borough in Alaska. Whether you need to land on the grass runway at Venice's Aeroporto Nicelli, or just want to turn heads at the Smiley Creek, Idaho backcountry strip, the PC-24 will take you there (and back).





WELCOME ABOARD

EXPAND YOUR COMFORT ZONE

The PC-24 delivers the ultimate blend of passenger comfort, the finest interior craftsmanship and unmatched cabin customization. Its cabin volume tops business jets costing almost twice as much. The cabin provides enough room for six executive seats plus an extended aft divan. The divan provides an amenity usually only seen in much more expensive intercontinental business jets.

There is plenty of room for your valuable belongings, carried in a heated and fully pressurized cabin section, which is accessible at any time during the flight. With the PC-24's best in class cargo capacity of 3,100 lbs (1,406 kg), you can bring it all. Numerous interior options and designs allow you to create a unique PC-24 to satisfy your own personal style.





WELCOME ABOARD


A WORKSPACE EVEN MORE PRODUCTIVE THAN YOUR OFFICE

Put your en route time to use. Upon boarding, you'll be impressed by the generous space and striking elegance of the PC-24's cabin, with comfort and ergonomics at the forefront.

The quiet and luxuriously comfortable cabin provides a tranquil space for focused work. The second row of seats is designed to swivel 180 degrees, quickly facilitating productive group collaboration.

Each seat provides the ideal environment for work or for meaningful rest. The new extended length divan, quickly convertible to a bed, gives you an ideal spot for a quick power-nap to recharge. Don't miss a minute; stay connected in the air with multiple in-flight connectivity options.

When your time in the sky is this productive, you'll have more time on the ground to spend with the people most important to you.

The image shows the interior of a private jet cabin. On the left, there is a galley with a countertop, a sink, and a display case containing several wine glasses. The cabin is finished with dark wood paneling. On the right, there are several rows of passenger seats upholstered in light-colored, quilted leather. The seats are arranged in a staggered pattern, and there are large windows along the side of the cabin. The floor is covered with a dark blue carpet with gold-colored stripes. The overall atmosphere is one of luxury and comfort.

WELCOME ABOARD

UNMATCHED VERSATILITY

Designed with versatility at its core, the PC-24 offers seven unique cabin configurations to cover a wide range of missions. The interior of the PC-24 has been designed from the outset for quick and easy reconfiguration – an option not found in any other business jets. Each passenger seat features quick-change capability, which facilitates their easy addition or removal.

An entirely flat floor provides exceptional ease of movement around the cabin. The aft partition is movable so you can easily enlarge the passenger cabin or increase the baggage compartment volume for each and every flight.

The PC-24 features a private, fully enclosed, and externally serviceable lavatory that is highly discreet and seamlessly integrated to optimize the space available for passengers and cargo. For added convenience, the welcome center has been redesigned to feature optional crystal glass storage, an extended working surface, and optimized sink placement. A cabin that can change to suit you; now that's versatility.



WELCOME ABOARD

SPACE FOR EVERYTHING

With the elegantly practical design you expect from Pilatus, the newly redesigned array of cabinetry further optimizes the available space for both function and storage. The PC-24 cleverly delivers an abundance of storage options, sometimes even where you don't expect it.

The optional divan provides additional storage capacity, ensuring every inch of available space is fully utilized to your benefit. Optional crystal storage provides a safe and elegant space to store and display your glassware.





WELCOME ABOARD

OPEN THE DOOR TO A WORLD OF NEW POSSIBILITIES

Introducing the world's first business jet with a standard pallet-sized cargo door. The PC-24 offers an outstanding 90 ft³ (2.50 m³) of baggage compartment space, fully-pressurized and accessible during flight.

The ample size of the standard cargo door allows the transport of oversize items that do not fit on any other business jet, thereby opening up opportunities for flight departments to expand their mission offerings.



IMPRESSIVE ON PAPER – REMARKABLE IN THE AIR

The PC-24 is the only business jet able to take off and land on paved and unpaved runways as short as 3,090 feet (940 m) at maximum gross weight. This enables dramatically reduced trip times by accessing thousands of airports closer to your ultimate destination.

The maximum cruise speed of the PC-24 is 440 knots (815 km/h), taking an average of two hours and twenty-nine minutes for a 1,000 nm (1,852 km) trip. Maximum range with four passengers is 2,040 nm.

Through years of precision engineering and Swiss ingenuity, the payload capacity has been increased to a best-in-class 3,100 lbs (1,406 kg). Empty weight was decreased, while maximum range was extended by more than 200 nm (370 km) with six passengers on board.



AVIONICS AND POWERPLANT

THIS COCKPIT HAS AN ACE UP ITS SLEEVE

The PC-24's Advanced Cockpit Environment (ACE) sets the standard for high-tech simplicity.

Pilatus ACE is so capable and offers such a wealth of functionality that in its most basic configuration it boasts the most intuitive and user-friendly cockpit concepts ever seen in business aviation.

Four large displays ensure that all relevant information is presented in the right place and with no delay.

The Inertial Reference System guarantees excellent reliability and accuracy of altitude and navigation data. The Pilatus ACE also features a Synthetic Vision System, Autothrottle, Graphical Flight Planning, Traffic Collision Avoidance System, and Localizer Performance with Vertical Guidance capability.



AVIONICS AND POWERPLANT

INCREDIBLE POWER AND CONTROL FOR A SINGLE PILOT

All Pilatus aircraft are certified for single-pilot operation, and the PC-24 is no exception.

The cockpit layout is efficient and intuitive. From the comfort of the captain's seat, the pilot finds an environment that has been designed specifically to reduce workload and improve safety while providing full situational awareness under all circumstances.

Simply put, the PC-24 is the perfect combination of single-pilot operational know-how, and state-of-the-art avionics technology.

If preferred, the PC-24 can also be flown by two pilots.



AVIONICS AND POWERPLANT

CONSUMPTION, EMISSIONS, NOISE: ALL MINIMIZED

At Pilatus, our legacy of innovative and efficient technology is driven by the world around us. To power the PC-24, we chose the Williams International FJ44-4A, a world-renowned power unit. It delivers ample power to support the PC-24's excellent field performance and enables a direct climb to the PC-24's operational ceiling.

The unique Quiet Power Mode on the PC-24 provides quiet, economical energy to power electrical systems – including heating and air-conditioning – independent of any source of ground power, and eliminates the need for a heavy and expensive auxiliary power unit.

The EXACT™ exhaust nozzle even provides vectored thrust with no moving parts using the Coanda Effect to reduce take off distances.

To give you the ability to reduce carbon emissions on every flight, the PC-24 is certified to use Sustainable Aviation Fuel (SAF).

These innovations offer more operational flexibility and higher fuel efficiency, hallmarks of the Super Versatile Jet.

MORE TIME FOR THE THINGS THAT MATTER

Minimize travel time by landing at smaller airports nearer to your destination, while expediting loading times with the standard cargo door. Get back to the things that matter most, faster.

Whether you need a comfortable place to rest or a productive workspace, the PC-24's well appointed and spacious cabin will provide it. For all the moments you can't get back, the Super Versatile Jet will get you there.





PC-24
THE CRYSTAL CLASS
SUPPORT



CUSTOMER SUPPORT

A LEVEL ABOVE FIRST CLASS

As an owner of an aircraft made by Pilatus, you will receive personal attention through our global service network. Training, parts, and customer programs are just a phone call away. In addition, each Pilatus aircraft comes with one of the strongest new aircraft warranties in the industry.

The intelligent PC-24 actively monitors potential maintenance needs and automatically notifies the appropriate parties remotely.

After listening carefully to the needs of our customers, we've created CrystalCare: an available option to enjoy the most comprehensive service and support program in the industry, exclusively for Pilatus operators. While offering unparalleled peace of mind by eliminating the uncertainty of maintenance cost variations, CrystalCare even includes Mobile Recovery Service when away from home. CrystalCare ensures your aircraft is always ready for action, without unexpected costs. Experience a step above first class – the Crystal Class.



SWISS CRAFTSMANSHIP OVER-ENGINEERED AND PROUD OF IT

With the new PC-24, a team of over 300 highly skilled engineers and craftsmen were tasked with enhancing the PC-24 to deliver better performance capabilities and improve the overall passenger cabin experience.

Our Swiss craftsmen live with the mindset that every stitch can be straighter, every paint stripe can be smoother, and every gap can be made tighter. That true craftsman philosophy is what drives Pilatus' innovation. This drive to never stop improving is deeply ingrained in the Swiss DNA, and is proudly displayed in our work.

Many components of the aircraft have been ingeniously optimized to give the PC-24 increased performance, range and payload capabilities. True to our proud heritage, the PC-24 is a remarkable display of Swiss ingenuity not only in performance and beauty - it's also exceptionally practical. In our constant pursuit of perfection, we took something great and made it even greater. This is the way of the craftsman, this is the Pilatus way.



SWISS CRAFTSMANSHIP

THE PILATUS STORY

Since 1939, Pilatus has built a reputation for constructing unique aircraft that excel in demanding conditions.

The Pilatus Porter PC-6, known as the world's leading STOL aircraft, has been heralded as one of the most extraordinary bush planes ever built. Produced continuously for over 60 years, it is legendary in the world of aviation and is a hallmark in Pilatus history.

Our military training aircraft, the PC-7 MkII, the PC-9 M, and the PC-21 make up a product family with which thousands of air force pilots around the world have earned their wings. The PC-12 defines an entirely new market segment for efficiency, performance, and comfort in a single engine aircraft. Its versatility makes it one of the most popular business aircraft on the market today.

From our proud heritage comes knowledge. The PC-24 embodies all of this experience and represents the pinnacle of over 80 years of precision aircraft manufacturing.



SWISS CRAFTSMANSHIP

SUSTAINABILITY IS IN OUR DNA

Naturally, Switzerland's respect for the environment permeates the culture at Pilatus. This is because for many, dedication to nature and the environment goes beyond governance and legislation. It's a matter of personal pride, a Swisstainable strategy.

Pilatus operates a massive solar power plant onsite at its Stans headquarters – generating clean, renewable electricity. The entire solar installation is connected to the local power grid. In a typical year, Pilatus returns approximately 80 percent of the clean, renewable solar energy it harvests to the power grid for others to use. In addition, all Pilatus aircraft are certified to operate using sustainable aviation fuel (SAF).

80 percent of the energy used to heat factory buildings is produced from renewable, local & sustainable sources such as the local wood-fired power plant.

To help realize its vision of climate-neutral aircraft production, Pilatus' sustainability strategy is built around eight key tenets:

- Reducing overall energy consumption
- Using clean, renewable sources of energy
- Using sustainable materials
- Reducing waste
- Recycling
- Using sustainable water sources
- Reducing air pollution
- Promoting eco-friendly awareness and activities

Pilatus doesn't put so much passion behind sustainability because we have to, we do it because it's who we are. Operating sustainably is not always the least expensive way, but it's the right way.

PRODUCTION SOURCES OF PILATUS' ELECTRICITY

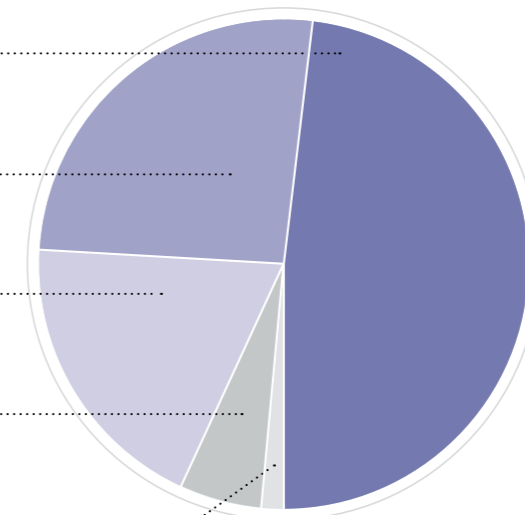
Hydropower - 47 %

Nuclear - 27 %

Solar - 20 %

Subsidized Electricity - 5 %

Other - 1 %





WHY OWN A PC-24?

TEN REASONS

1. MORE AIRPORTS

No other business jet can operate from unpaved and paved surfaces as short as 3,090 feet (940 meters) – giving you access to tens of thousands of additional airports worldwide; airports other jets can only fly over.

2. CABIN SPACE

The PC-24 offers a large cabin with room for six executive seats plus an aft divan that converts into a full-size bed, as well as a completely flat floor. The interior has been designed from the outset for quick reconfiguration into any seating and cargo combination.

3. GREATER PAYLOAD

Through extensive component optimization, usable payload was increased to 3,100 lbs (1,406 kg). This allows the Super Versatile Jet to provide you with the best carrying capacity in its class.

4. CARGO DOOR

A large cargo door is a standard feature of the PC-24 allowing convenient, separate loading of luggage and freight. The separate dedicated passenger door provides easier and more convenient cabin entry.

5. BAGGAGE COMPARTMENT

The internal baggage compartment in the PC-24 provides 90 cubic feet (2.50 cubic meters) of in flight accessible luggage. The placement of the compartment means that baggage is stowed in a climate controlled and fully pressurized space.

6. UNMATCHED COMFORT

The quiet and spacious cabin provides a pleasant respite from the world below; an ideal environment for productive collaboration or rest en route.

7. QUIET POWER MODE

The Quiet Power Mode (QPM) allows the aircraft to power the cabin and all systems, including climate control, using the right engine in a sub-idle mode while on the ground. The QPM reduces cost and weight compared to a traditional Auxiliary Power Unit (APU).

8. OPERATIONAL FLEXIBILITY

Designed with versatility in mind, the PC-24 offers a single pilot certification, a highly modular cabin with an array of seating configurations, the ability to load large items through the cargo door, and the flexibility to take off and land from unpaved runway surfaces.

9. CRYSTAL CLASS SUPPORT

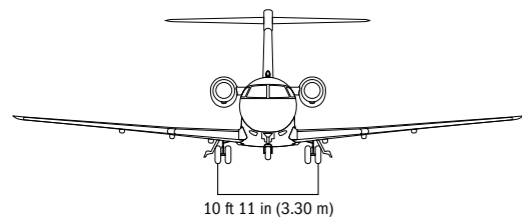
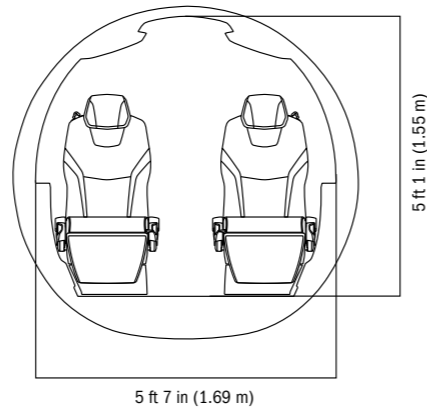
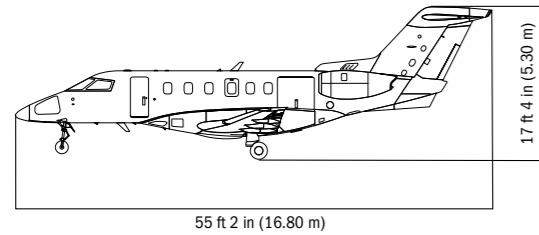
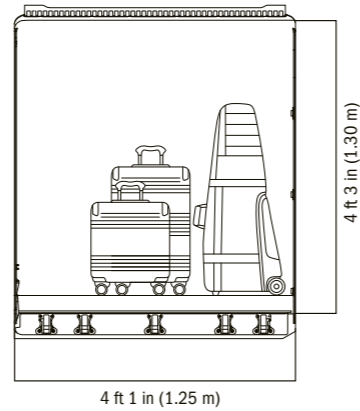
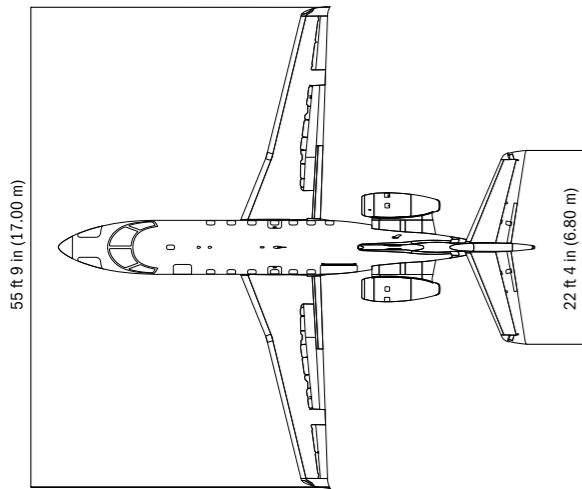
The PC-24 CrystalCare program is business aviation's most comprehensive warranty and service package, provided by Pilatus's global factory-trained service network.

10. SWISS QUALITY

Designed and built with meticulous craftsmanship and precision in Switzerland, the PC-24 enjoys the prestige and reputation that accompany its Swiss heritage.

FACTS AND FIGURES

DIMENSIONS AND WEIGHTS



DIMENSIONS (EXTERIOR)

Wing span	55 ft 9 in	17.00 m
Length	55 ft 2 in	16.80 m
Height	17 ft 4 in	5.30 m
Horizontal tail span	22 ft 4 in	6.80 m

DIMENSIONS (INTERIOR)

Cabin length (cockpit/cabin partition to aft pressure bulkhead)	23 ft 0 in	7.01 m
Cabin width	5 ft 7 in	1.69 m
Cabin floor width	3 ft 10 in	1.16 m
Cabin height (continuous flat floor)	5 ft 1 in	1.55 m
Cabin volume (cockpit/cabin partition to aft pressure bulkhead)	501 ft ³	14.20 m ³

Baggage compartment volume (aft partition in forward position)	90 ft ³	2.50 m ³
Baggage compartment volume (aft partition in aft position)	51 ft ³	1.40 m ³

Passenger door height	4 ft 5 in	1.34 m
Passenger door width	2 ft 0 in	0.60 m

Cargo door height	4 ft 3 in	1.30 m
Cargo door width	4 ft 1 in	1.25 m

WEIGHTS

Maximum ramp weight	18,840 lb	8,545 kg
Maximum take-off weight	18,740 lb	8,500 kg
Maximum landing weight	17,340 lb	7,865 kg
Maximum zero fuel weight	14,660 lb	6,650 kg
Usable fuel (888.5 U.S. gal/3363 l)	5,964 lb	2,705 kg
Maximum payload	3,100 lb	1,406 kg
Maximum payload with full fuel	1,314 lb	596 kg
Basic operating weight (executive configuration 6 seat, incl. one pilot)	11,559 lb	5,243 kg

POWERPLANT

Manufacturer	Williams International
Model	FJ44-4A QPM
Normal take-off thrust (per engine)	3,420 lbf 1,551 kgf
Automatic thrust reserve allowing thrust increase to	3,600 lbf 1,633 kgf
Dual channel Full Authority Digital Engine Control (FADEC)	
Aircraft cooling or heating on the ground under own power (Quiet Power Mode)	
Time between overhaul	5,000 h
Hot section inspection	2,500 h
Scheduled inspection interval	600 h

FACTS AND FIGURES

PERFORMANCE

TAKE-OFF DISTANCE

Balanced field length 3,090 ft 940 m
(MTOW, ISA, sea level, dry paved runway)

Balanced field length 5,440 ft 1,657 m
(MTOW, ISA +20 °C, 5,000 ft/1,524 m, dry paved runway)

RATE OF CLIMB

(200 KCAS/M 0.6)

MTOW, ISA, sea level 3,960 ft/min 20.10 m/s

FL 300 1,900 ft/min 9.70 m/s

Time to climb sea level to FL 450 27.1 min
(direct climb)

CRUISE

Maximum cruise speed *(FL 280)* 440 KTAS 815 km/h

ALTITUDE

Maximum certified altitude 45,000 ft 13,716 m

Single engine service ceiling 29,100 ft 8,870 m

LANDING DISTANCE

Over 50 ft (15 m) obstacle 2,410 ft 734 m
(MLW, ISA, sea level, dry paved runway)

STALL SPEED

Landing configuration 83 KIAS 153 km/h
(MLW, ISA, sea level)

WING AREA AND LOADING

Wing area 332.71 ft² 30.91 m²

Wing loading 56 lb/ft² 275 kg/m²

FACTS AND FIGURES

PAYLOAD/RANGE

PAYLOAD/RANGE

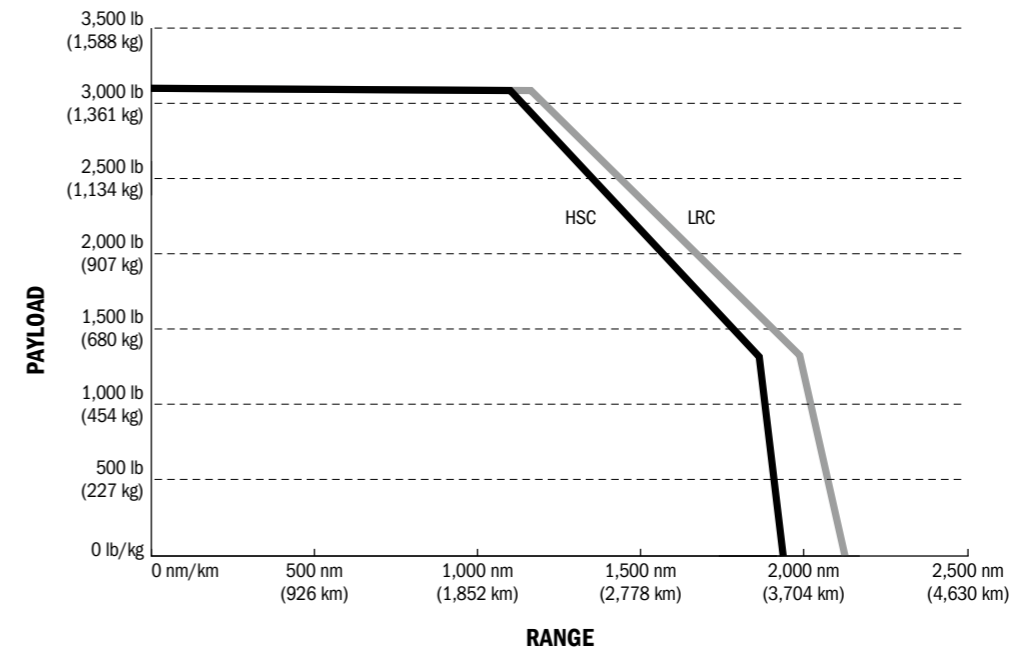
(NBAA IFR reserves of 100 nm (185 km) LRC + 30 min, single-pilot operations)

Max payload *(3,100 lb/1,406 kg)* 1,154 nm 2,137 km

6 passengers *(1,200 lb/544 kg)* 2,000 nm 3,704 km

4 passengers *(800 lb/363 kg)* 2,040 nm 3,778 km

Ferry range 2,123 nm 3,931 km



FACTS AND FIGURES

AVIONICS AND MISCELLANEOUS

PILATUS ACE AVIONICS SYSTEM

ACE stands for “Advanced Cockpit Environment” system specifically developed for the Pilatus PC-24.

Key features:

- Touch-screen controllers
- Four twelve-inch LCD displays
- Inertial reference system and attitude heading reference system
- SmartView synthetic vision system
- Traffic alert and collision avoidance system
- Graphical flight planning
- Autothrottle
- Lateral precision vertical
- Fully integrated automatic flight control system
- Dual flight management system
- Dual Mode S transponders with automatic dependent surveillance – broadcast OUT

KINDS OF OPERATIONS

- Visual flight rules
- Instrument flight rules day and night
- Private (*FAR Part 91, EASA Part-NCC*) and commercial (*FAR Part 135, EASA Part-CAT*) operations
- Flight into known icing conditions
- Single- and dual-pilot operations
- Operations from paved and unpaved surfaces
- CAT II certified (optional equipment)

MISCELLANEOUS

Airframe maintenance schedule 600 h/annual

Dual wheel main landing gear; low pressure tires (72 psi)

Single-point pressure refuelling port

Design service life 30,000 h/30,000 landings

Certification EASA CS 23; FAA FAR 23, Commuter Category

WARRANTY

- Airframe: 7 years or 5,000 flight hours
- Aircraft systems, exterior paint and interior furnishings: 2 years or 2,000 flight hours
- Avionics: 3 years (by Honeywell)
- Engine: 5 years or 2,000 flight hours (by Williams International)



FACTS AND FIGURES

INTERIOR CONFIGURATIONS



1

1 | 6 SEAT EXECUTIVE

Make the most out of the PC-24 cabin with ample space for passengers, baggage and equipment.



2

2 | 8 SEAT DOUBLE CLUB EXECUTIVE

Fill every seat of the plane and still take advantage of an impressive baggage compartment and comfortable seating.



3

3 | 6 + 2 SEAT EXECUTIVE

Whenever the need arises, simply add or remove up to two seats, allowing flexible accommodations for six to eight passengers.



4

4 | AFT DIVAN EXECUTIVE

Cabin offers ample space for passengers, baggage and equipment, as well as a place to stretch out and relax on a divan that folds out into a full size bed with ample storage drawers underneath.



5

5 | COMMUTER

A true workhorse, it will transport passengers and their gear to the most remote locations - quickly and safely.



6

6 | COMBI

Whether it's critical equipment or simply your e-bikes - travel in style and leave nothing behind.



7

7 | AIR AMBULANCE

The large cargo door and flexible cabin space allow many options for quickly transporting critical patients.

FACTS AND FIGURES

PACK YOUR BAGS AND LET'S FLY



6 SEAT EXECUTIVE



COMBI



8 SEAT DOUBLE CLUB EXECUTIVE



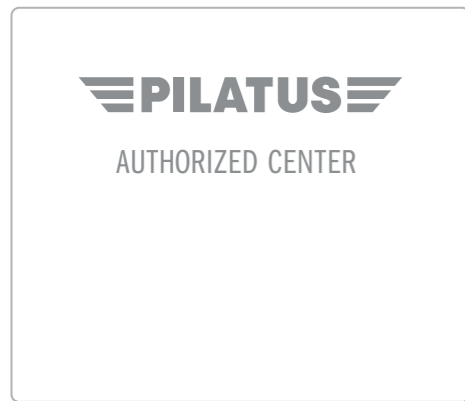
AFT DIVAN EXECUTIVE

CONTACT US

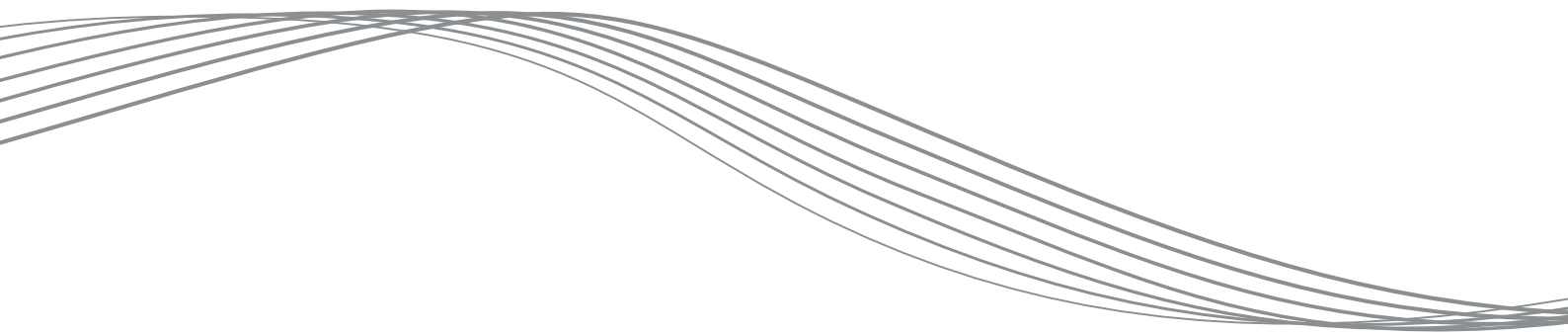
FLY PILATUS CLASS

PLEASE CONTACT US FOR
MORE INFORMATION.

pc-24sales@pilatus-aircraft.com



Founded in 1939, Pilatus Aircraft Ltd develops and produces the world's most unique aircraft: from the legendary PC-12, the best-selling single-engine turboprop in its class, to the PC-7 MKX and PC-21 and associated simulators, the market-leading systems for pilot training. The PC-24 is the world's first ever business jet designed for use on short unprepared runways. The Pilatus team consists of over 2,500 exceptional employees who make the company, which is domiciled in Stans, one of the largest and most innovative employers in Switzerland. The Pilatus Group also includes independent subsidiaries in the USA and Australia. Pilatus provides training for over 140 apprentices in various professions – job training for young people has always been a very high priority. Pilatus remains committed to Switzerland as a hub for work and new ideas, and acts in a sustainable and environmentally-conscious manner at all times.



PILATUS